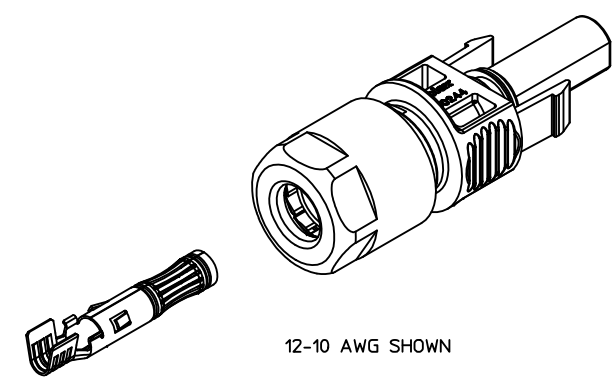
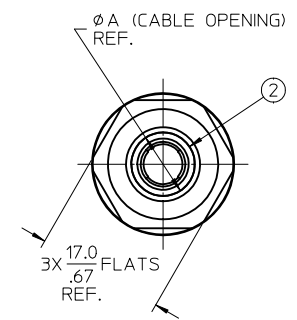
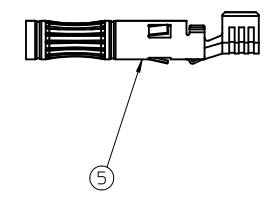
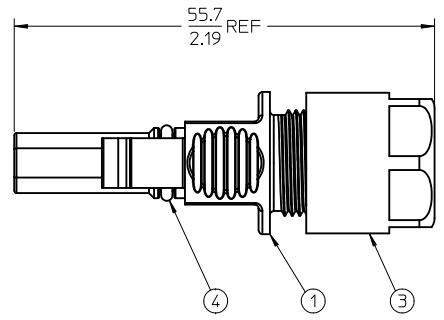
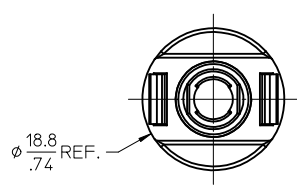


1302441203	2.5 mm <sup>2</sup> / 14 AWG	5.8-6.7 / .23-.26	7.0 / .28
1302441201	4.0-6.0 mm <sup>2</sup> / 12-10 AWG	6.7-7.8 / .26-.31	8.4 / .33
<b>MATERIAL NO.</b>	<b>CABLE SIZE</b>	<b>CABLE Ø RANGE</b>	<b>DIM. "A"</b>



12-10 AWG SHOWN



NOTES:

1. MATERIALS: SEE TABLE
2. FINISHES: SEE TABLE
3. PRODUCT SPECIFICATION: PS-130244-001
4. PACKAGING SPECIFICATION: PK-130244-021
5. MATES WITH: 1302441202 OR 1302441204
6. ASSEMBLY IS ROHS COMPLIANT.
7. 5 ASSEMBLIES PER KIT.

ITEM	QTY	DESCRIPTION	MATERIAL	FINISH
5	1	CONTACT, SOCKET	COPPER ALLOY	SELECTIVE SILVER
4	1	O-RING SEAL	SILICONE	DARK GRAY
3	1	CABLE RETENTION NUT	POLYCARBONATE (PC)	BLACK
2	1	CABLE GROMMET	SILICONE	TRANSLUCENT
1	1	SOCKET HOUSING	POLYCARBONATE (PC)	BLACK

PRELIMINARY EC NO: WNA2011-0282 DRAWN: CLYORK 2010/11/24 CHKD: DTITUS APPR: DTITUS 2010/12/06	QUALITY SYMBOLS
	=0 =0

GENERAL TOLERANCES (UNLESS SPECIFIED)																
	<table border="1"> <tr> <th></th> <th>mm</th> <th>INCH</th> </tr> <tr> <td>4 PLACES</td> <td>± .005</td> <td>± .0005</td> </tr> <tr> <td>3 PLACES</td> <td>± .005</td> <td>± .0005</td> </tr> <tr> <td>2 PLACES</td> <td>± 0.13</td> <td>± .010</td> </tr> <tr> <td>1 PLACE</td> <td>± 0.25</td> <td>± .010</td> </tr> </table>		mm	INCH	4 PLACES	± .005	± .0005	3 PLACES	± .005	± .0005	2 PLACES	± 0.13	± .010	1 PLACE	± 0.25	± .010
	mm	INCH														
4 PLACES	± .005	± .0005														
3 PLACES	± .005	± .0005														
2 PLACES	± 0.13	± .010														
1 PLACE	± 0.25	± .010														
ANGULAR ± 2 °																
DRAFT WHERE APPLICABLE MUST REMAIN WITHIN DIMENSIONS																

DIMENSION STYLE	
MM/IN	
DRAWN BY	DATE
CLYORK	2010/08/13
CHECKED BY	DATE
DTITUS	2010/08/13
APPROVED BY	DATE
DTITUS	2010/12/06
MATERIAL NO.	
SEE CHART	
SIZE	
THIS DRAWING CONTAINS INFORMATION THAT IS PROPRIETARY TO MOLEX INCORPORATED AND SHOULD NOT BE USED WITHOUT WRITTEN PERMISSION	

SCALE	DESIGN UNITS	THIRD ANGLE PROJECTION
2:1	METRIC	
TITLE		
SOCKET ASSEMBLY KIT, PV SOLAR DC CONNECTOR, 14-10 AWG		
MOLEX MOLEX INCORPORATED		
DOCUMENT NO.	SHEET NO.	
SD-130244-021	1 OF 1	